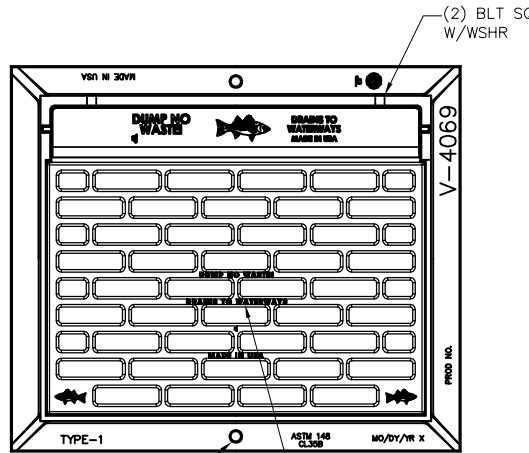
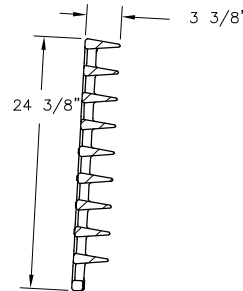
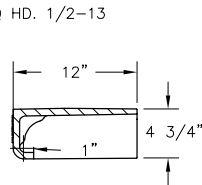


V4069 V4069-1 V4069-2 Assembly

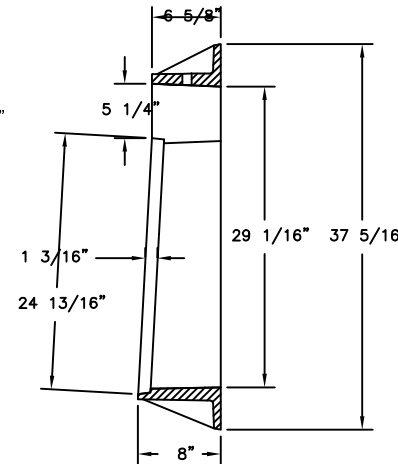


(2) THRU HOLES
3/8" SHARP FACE GOTHIC

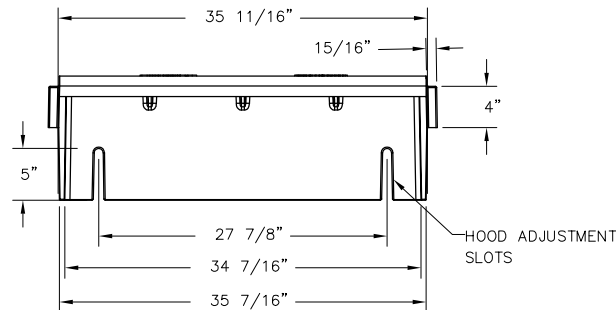
PLAN VIEW



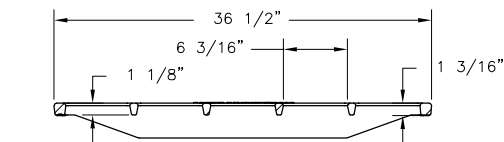
SECTION VIEW



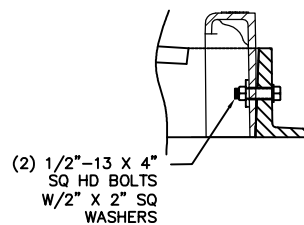
FRAME SECTION



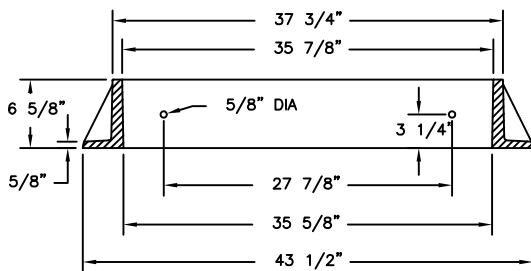
HOOD SECTION



GRATE SECTION



FRAME & HOOD ASSEMBLY



FRAME SECTION

Product Number
44069231B04

Design Features

- Materials
 - Curb Inlet Frame
 - Gray Iron (CL35B)
 - Hood
 - Gray Iron (CL35B)
 - Grate
 - Ductile Iron (80-55-06)

- Design Load
 - Heavy Duty
- Open Area
 - 414 sq in
- Coating
 - Undipped
- √ Designates Machined Surface

Certification

-
- ASTM A536
- ASTM A48
- Country of Origin: USA

Major Components

- 44069010
- 44069161
- 44069231

Drawing Revision

- 6/8/2017 Designer: MAH
- 6/12/2017 Revised By: MAH

Disclaimer

Weights (lbs./kg) dimensions (inches/mm) and drawings provided for your guidance. We reserve the right to modify specifications without prior notice.

CONFIDENTIAL: This drawing is the property of EJ GROUP, Inc., and embodies confidential information, registered marks, patents, trade secret information, and/or know how that is the property of EJ GROUP, Inc. Copyright © 2012 EJ GROUP, Inc. All rights reserved.

Contact

800 626 4653
ejco.com